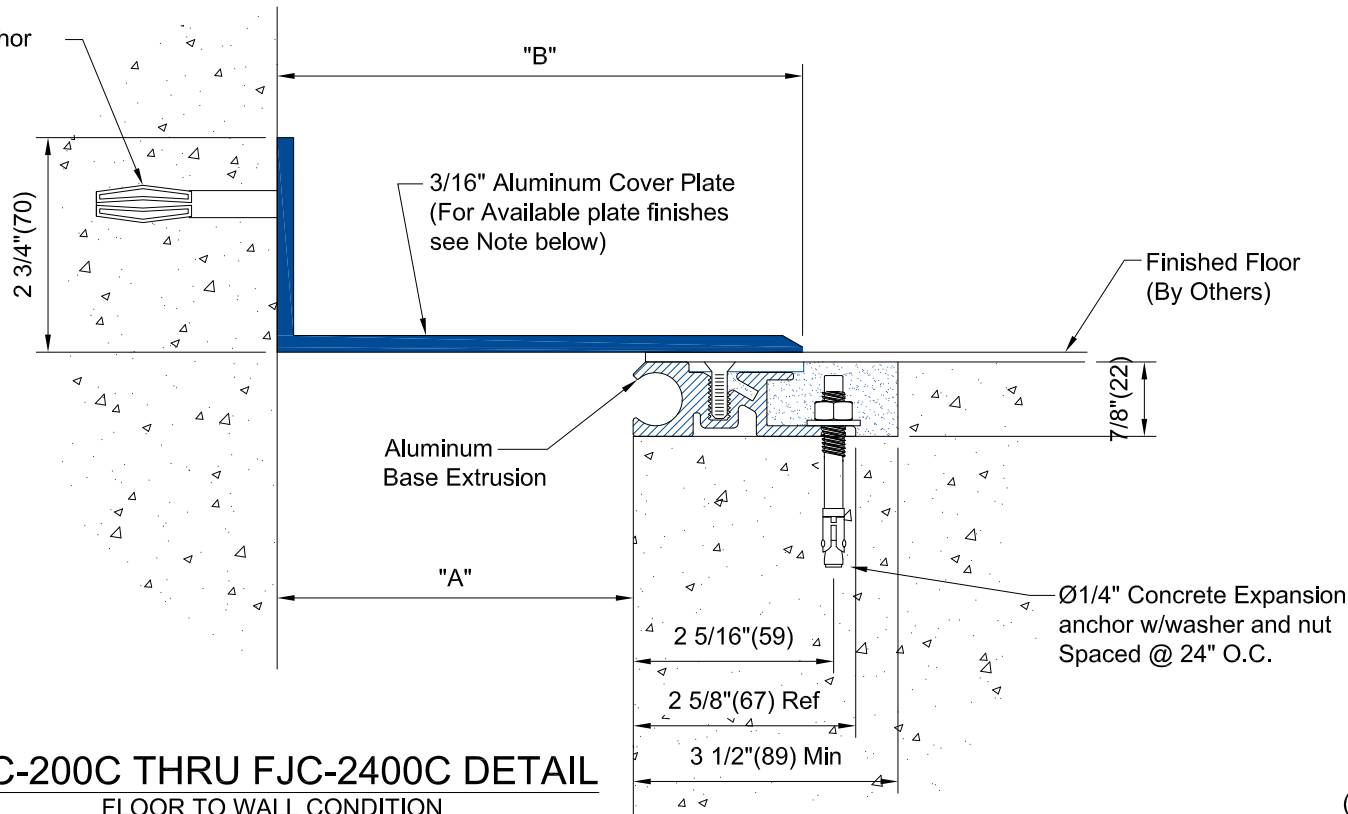


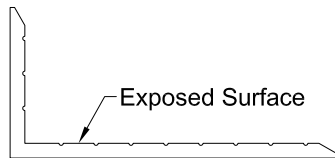
Ø1/4" Concrete anchor
Spaced @ 18" O.C.



FJC-200C THRU FJC-2400C DETAIL
FLOOR TO WALL CONDITION

() - Denotes Millimeters

Note:



Exposed Surface

- For openings up to 6"
 - Plate supplied with grooved surface/mill finish
- For openings Greater than 6"
 - Plate supplied with brush finish
 - Grooves optional for plates up to 24" in width
 - Grooves not available for plates over 24"

DIMENSION CHART

Model	"A" @ Min.	"A" @ Mid	"A" @ Max.	"B"	Total Movement
FJC-200C	1" (25)	2" (51)	2 1/2"(64)	2 3/4"(70)	1 1/2"(38)
FJC-400C	1" (25)	4"(102)	5"(127)	5 1/4"(133)	4"(102)
FJC-600C	1" (25)	6"(152)	7 1/2"(191)	7 3/4"(197)	6 1/2"(165)
FJC-800C	1" (25)	8" (203)	10"(254)	10 1/4"(260)	9"(229)
FJC-1000C	1" (25)	10"(254)	12 1/2"(317)	12 3/4"(324)	11 1/2"(292)
FJC-1200C	1" (25)	12"(305)	15"(381)	15 1/4"(387)	14"(356)
FJC-1800C	1" (25)	18"(457)	22 1/2"(572)	22 3/4"(578)	21 1/2"(546)
FJC-2400C	1" (25)	24"(607)	30"(762)	30 1/4"(768)	29"(737)

Note: Minimum And Maximum Values Are After Movement Occurs. Mid Point Value Is The Recommended Size Of Opening At Installation.

PROJECT NAME: -

PROJECT LOCATION: -

DRAWING DESCRIPTION:
Wabo®SeismicFloor

DATE: 12/14/06

MODEL: FJC-C



Watson Bowman Acme Corp.
95 Pineview Drive Amherst, NY 14228
phone: (716) 691-7566 fax: (716) 691-9239
www.wbacorp.com



REVISION NO:
-

SHEET NO:
2

DRAWING NO:
C-96003

Information provided herein, including but not limited to, any drawing, design, photograph, graphic, or statement(s) ("Materials") are proprietary and the property of Watson Bowman Acme Corporation ("Company"). Reproduction, translation, or reduction to any electronic medium or machine readable form, in whole or part, is strictly prohibited, except for the express purpose for which it has been furnished, without prior written consent of Company. All Materials contained herein are provided by Company for information purposes only. Company reserves the right to amend or withdraw any information contained in the Materials without notice. All technical or other advice by Company, whether verbal or written, concerning products, or the use of products in specific situations ("Advice") is given by Company and is used at the Users own risk.