

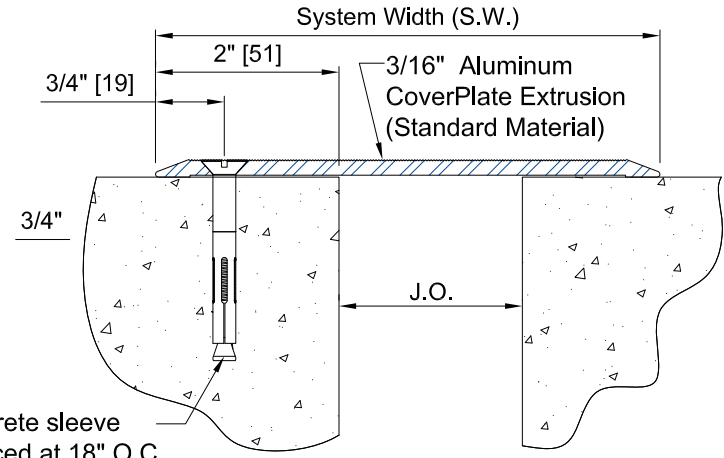
FJF-100c thru 600c

typical section
floor to wall application

Model	Joint Opening (J.O.)						Total Movement		S.W. at install	
	at install		allow min.		allow max.		inches	mm	inches	mm
	inches	mm	inches	mm	inches	mm				
FJF-100C	1	25	0	0	1 3/4"	44	1 3/4"	44	2	51
FJF-200C	2	51	0	0	3 1/4"	83	3 1/4"	83	3 1/2"	89
FJF-400C	4	102	0	0	6 1/4"	159	6 1/4"	159	6 1/2"	165
FJF-600C	6	152	0	0	9 1/4"	235	9 1/4"	235	9 1/2"	241

Note: J.O. minimum and amximum values are after thermal movement occurs

Optional Plate Material:
3/16" Stainless Steel Coverplate with
Brush Finish



FJF-100 thru 600

typical section
floor to floor application

Model	Joint Opening (J.O.)						Total Movement		S.W. at install	
	at install		allow min.		allow max.		inches	mm	inches	mm
	inches	mm	inches	mm	inches	mm				
FJF-100	1	25	0	0	1 3/4"	44	1 3/4"	44	4	102
FJF-200	2	51	0	0	3 1/4"	83	3 1/4"	83	5 1/2"	140
FJF-400	4	102	0	0	6 1/4"	159	6 1/4"	159	8 1/2"	216
FJF-600	6	152	0	0	9 1/4"	235	9 1/4"	235	11 1/2"	292

Note: J.O. minimum and amximum values are after thermal movement occurs

PROJECT NAME: -

PROJECT LOCATION: -

DRAWING DESCRIPTION:
Wabo®FastFloor

DATE: 04/01/10 MODEL: FJF/C



Watson Bowman Acme Corp.
95 Pineview Drive Amherst, NY 14228
phone: (716) 691-7566 fax: (716) 691-9239
www.wbacorp.com



Information provided herein, including but not limited to, any drawing, design, photograph, graphic, or statement(s) ("Materials") are proprietary and the property of Watson Bowman Acme Corporation ("Company"). Reproduction, translation, or reduction to any electronic medium or machine readable form, in whole or part, is strictly prohibited, except for the express purpose for which it has been furnished, without prior written consent of Company. All Materials contained herein are provided by Company for information purposes only. Company reserves the right to amend or withdraw any information contained in the Materials without notice. All technical or other advice by Company, whether verbal or written, concerning products, or the use of products in specific situations ("Advice") is given by Company and is used at the Users own risk.

REVISION NO: -

SHEET NO: 1

DRAWING NO: C-17623